

Control Industrial

Sección C

Soluciones IEC y NEC innovadoras e inteligentes Innovative, intelligent NEC and IEC
Soluciones seguras y eficientes para circuitos de control y protección en ambientes explosivos, húmedos y corrosivos.



Botoneras

DSD Tapas ensambladas con dispositivos.
Material estándar hierro electrogalvanizado.
Para pedir en aluminio agregar sufijo SA.

Cl. I, Div. 1 & 2, Groups B*, C, D†
Cl. II, Div. 1, Groups E, F, G
Cl. II, Div. 2, Groups F, G
Cl. III
NEMA 3, 7B*CD, 9EFG

A prueba de explosión
A prueba de ignición de polvos
A prueba de lluvia
Localizaciones húmedas



For use with EDSCM modular control device bodies see page 505 and EDS/EDSC back boxes.

Features:

- Large machine screws for fastening covers to bodies
- Lockout hole for padlock having 1/4" hasp is provided when used with covers for front lever and side rocker type operation
- Lockout provisions on front operated pushbutton (marked "STOP" and "OFF") and all selector switch covers
- For covers with front lever and side rocker type operating handles, threaded type shafts and bushings are used to ensure flametightness
- Accurately ground flange for flametight joint when mated with ground flange on back box

Certifications and Compliances:

(When used with EDSCM & EDS bodies):

- NEC/CEC:
 - Class I, Division 1 & 2, Groups C, D†
 - Class I, Division 2, Groups B, C, D
 - Class II, Division 1, Groups E, F, G
 - Class II, Division 2, Groups F, G
 - Class III
- NEMA/EEMAC: 3, 7B (Div. 2) CD, 9EFG
- UL Standards: 894, 698
- CSA Standard: C22.2 No. 30

Pushbuttons, Pilot Lights & Selector Switches (when used with EFS bodies):

- NEC/CEC:
 - Class I, Division 1 & 2, Groups B, C, D
 - Class II, Division 1, Groups E, F, G
 - Class II, Division 2, Groups F, G
 - Class III
- NEMA/EEMAC: 3, 7BCD, 9EFG
- UL Standard: 1203
- CSA Standard: C22.2 No. 30

Standard Materials:

- Covers, front operated – Feraloy iron alloy and copper-free aluminum
- Covers, side operated – copper-free aluminum
- Shafts and shaft bushings – stainless steel
- Rocker handles, pushbuttons and guards – type 6 / 6 nylon
- Sealing enclosures – copper-free aluminum

CPS delayed action receptacle cover:

- Receptacle housing – copper-free aluminum
- Insulation – diallyl phthalate (DAP)
- Contacts – brass

Standard Finishes:

- Feraloy – electrogalvanized and aluminum acrylic paint
- Copper-free aluminum – natural



Opciones:

Descripcion

- Sistema portacandado en pulsador rasante marcado como STOP.....
- Cabeza tipo hongo rojo con retención y sistema portacandado en pulsador.....

Suffix

S153
S769

4C



† When a CPS receptacle cover device is used, the assembly meets requirements for Class I, Groups C and D areas only.

* For pushbuttons, pilot lights, & selector switches, use EFS back box with required external conduit seal for 1 inch hub size, within 5 feet for Class I, Division 1, Group B applications.

§ A comparable factory sealed cover will fit on the EDSCM21 body, EDS and EDSC bodies and in bottom gang of EDSCM33 and EDSCM63 bodies. To order, add suffix S701 to catalog number.

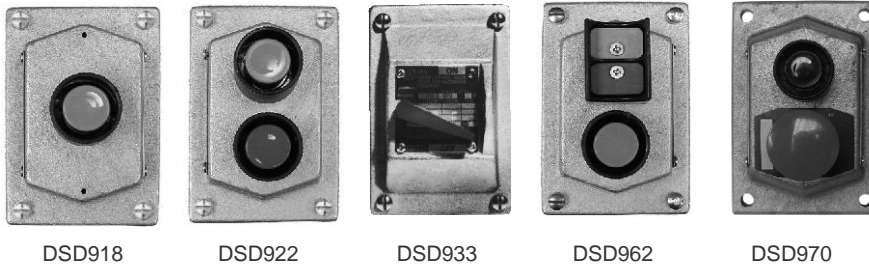
① Includes one interchangeable heater. To select heater see pages 463–464. Symbol 0 (zero) may be used to indicate heater omitted.

4C Botoneras

DSD Tapas ensambladas con dispositivos.
Material estándar hierro electrogalvanizado.
Para pedir en aluminio agregar sufijo SA.

Cl. I, Div. 1 & 2, Groups B*, C, D†
Cl. II, Div. 1, Groups E, F, G
Cl. II, Div. 2, Groups F, G
Cl. III
NEMA 3, 7B*CD, 9EFG

A prueba de explosión
A prueba de ignición de polvos
A prueba de lluvia
Localizaciones húmedas



For use with EDSCM modular control device bodies see page 505 & EFS/EDS back boxes.

Información para ordenar

Tapas con pulsadores

600 VAC Heavy Duty, Factory Sealed

Numero de Botones	Posición normal	Diagrama	Cat. #
1	Parada de emergencia		DSD918-SA-S769 Aluminio
2	START-STOP		DSD922-SA Aluminio

Botoneras completas

Numero de Botones	Posición normal	Diagrama	Cat. #
2	2 pulsadores negros		EDS2190-SA Aluminio
2	2 pulsadores START-STOP		EDS315 Hierro

No olvide seleccionar por aparte el cuerpo de la botonera

Tapas con interruptores para luminarias, con accionamiento externo

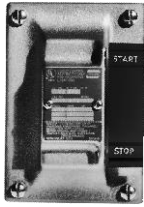
Style	Amperes 120 VAC	Amperes 277 VAC	Cat. #
1-Pole	20	20	DSD933†
2-Pole	20	20	DSD934†
1-Pole	20	20	DSD936† (Conmutable)

Botoneras

DSD Tapas ensambladas con dispositivos.
Material estándar hierro electrogalvanizado.
Para pedir en aluminio agregar sufijo SA.

Cl. I, Div. 1 & 2, Groups B*, C, D
Cl. II, Div. 1, Groups E, F, G
Cl. II, Div. 2, Groups F, G
Cl. III
NEMA 3, 7B*CD, 9EFG

A prueba de explosión
A prueba de ignición de polvos
A prueba de lluvia
Localizaciones Húmedas



DSD951



DSD925



DSD947-J1-J1



DSD958



DSD957



DSD961-J1

No olvide seleccionar por aparte el cuerpo de la botonera

Tapas con selectores

Contacto mantenido 600 VAC Heavy Duty, Factory Sealed

Dos posiciones

Tipo	Posición 1	Posición 2	Position 3	Cat. #
Two Circuit	A1	A2		DSD923 ④

Tres posiciones

Two Circuit	A1	A2		DSD925 ④
-------------	----	----	--	----------

* For pushbuttons, pilot lights, & selector switches, use EFS back box with required external conduit seal for 1 inch hub size, within 5 feet for Class I, Division 1, Group B applications.
‡LED pilot lights can be furnished in place of standard incandescent pilot lamps. Add suffix LED to Cat. No. after last color symbol.

Tapas con Luces Piloto

Factory Sealed

Description	Diagram	Cat. #
Con una luz piloto		DSD948 ①
Con dos luces piloto (No disponible con transformador)		DSD947 ①
Con una luz piloto y transformador		DSD948 ① ②
Con una luz piloto Y un pulsador		DSD958 ①
Con una luz piloto Y un pulsador doble		DSD961 ①

① Para la luz piloto adicione el símbolo de cada color deseado.

Sufijo

Color	Simbolo	Color	Simbolo	Color	Simbolo
Rojo	J1	Ambar	J6	Azul	J11
Verde	J3	Claro	J10		

② Para la luz piloto con transformador adicione:

Sufijo

Nom. Volts 50–60Hz Transformer	Primary Voltage Range	Suffix
220 / 110	220–240	T2
440 / 110	440–480	T4
550 / 110	550–600	T5

③ Si desea marcación especial, puede adicionar a la referencia los siguientes textos:

START	OFF	RESET	LIGHT ON
STOP	RUN	TRIP	HAND
ON	JOG	TEST	AUTOMATIC
EMERGENCY	OPEN	DOWN	RAISE
FORWARD	CLOSE	IN	LOWER
REVERSE	UP	OUT	

④ Si desea marcación especial puede adicionar a la referencia los siguientes textos:

Dos posiciones		
RUN, JOG	FAST, SLOW	IN, OUT
HAND, AUTOMATIC	OPEN, CLOSE	RAISE, LOWER
FORWARD, REVERSE	UP, DOWN	START, STOP
	ON, OFF	

Tres posiciones

JOG, OFF, RUN	1, OFF, 2
AUTOMATIC, OFF, HAND	OPEN, OFF, CLOSE
FORWARD, OFF, REVERSE	UP, OFF, DOWN
FAST, OFF, SLOW	

Botoneras

EDS Cuerpos

Material estándar hierro electrogalvanizado.

Para pedir en aluminio agregar sufijo SA.

Ejm: EDS271-SA; EDSC371-SA

Cl. I, Div. 1 & 2, Groups B (Div. 2 only) C, D

Cl. II, Div. 1 & 2, Groups E, F, G

Cl. III

Zone 1 & 2 Groups IIB

NEMA 3R, 7B* (Div. 2) CD, 9 EFG, 12



Cara sencilla

Un acceso	Acceso Arriba/Abajo	Diámetro	Tipo de cuerpo
EDS271	EDSC271	3/4"	Cara sencilla (para una tapa)
EDS371	EDSC371	1"	Cara sencilla (para una tapa)



Cara doble

Un acceso	Acceso Arriba/Abajo	Diámetro	Tipo de cuerpo
EDS272	EDSC272	3/4"	Cara doble (para dos tapas)
EDS372	EDSC372	1"	Cara doble (para dos tapas)

Opciones:

Cuerpo en aluminio
Acabado exterior en pintura epóxica
Acabado interior / exterior en pintura epóxica

Sufijo

SA
S752
S753



Cubierta con frente abierto



Cubierta con bisagra

Applications:

Added environmental protection for Cooper Crouse-Hinds control stations is now available from a patented "slip on" series of covers. Easy to install, these enclosures are available in hinged and open front styles, and are ideal for corrosive and adverse areas where product endurance is essential.

Secured Access Hinged Cover

- High moisture areas due to weather, steam, or wash down procedures.
- Areas where dirt, dust, mud, sand, etc. interferes with equipment operation.
- Prevention of accidental equipment operation.
- Instances requiring equipment lock out/tag out.

Quick Access Open Front Cover

- Areas requiring quick access to control device.
- Areas of high moisture from weather or dripping liquid.
- Prevention of accidental equipment operation.
- Areas with possible damage from bumping or banging.

Features and Benefits:

- Clear UV stabilized Lexan polycarbonate plastic allows the end-user to see enclosed controls and is strong enough to withstand the rough treatment found in the industrial work place.
- Downtime due to weather or accidental bumping is eliminated and plant shutdowns caused by inoperable or accidentally operated pushbutton devices are non-existent.
- Lock out/tag out capabilities conform to OSHA requirements and provides increased personnel safety.
- Quick and easy slip on installation requires no tools or interruption of service.
- Hinged cover provides superior sealing through heavy-duty neoprene gaskets.
- Colored covers are available (e.g. red for emergency, yellow for fire alarm, etc.).
- Specific chemical resistant covers available (may not be clear) - consult factory for minimum order quantity.
- Capability to engineer cover to fit any size device - consult factory.

Custom covers can be supplied but must be accompanied by either a sample of the device to be covered or a copy of a drawing with all actual measurements of the device to be covered. Covers can also be color-coded. Consult factory.

Cubierta con bisagra

Aplicaciones de cara sencilla Para cuerpos EDS(C) y EFD(C)	Cat. # NC CH1
---	------------------

Aplicaciones de cara doble Para cuerpos EDS©	Cat. # NC CH2
---	------------------

Cubierta con frente abierto

Aplicaciones de cara sencilla Para cuerpos EDS(C) y EFD(C)	Cat. # NC CH1 QA	Para
---	---------------------	------

Aplicaciones de cara doble Para cuerpos EDS(C)	Cat. # NC CH2 QA	Para
---	---------------------	------

EGL Static Grounding Indicator

With Automated Pump Control and Static Ground Verification System

Cl. I, Div. 1 & 2, Groups B, C, D
 Cl. I, Zone 1 & 2 IIB + H₂
 Cl. II, Div. 1, Groups E, F, G
 Cl. II, Div. 2, Groups F, G
 Cl. III

UL/cUL Listed
 NEMA 3, 4X, 7BCD, 9FG, 12
 Explosionproof
 Dust-Ignitionproof
 Raintight / Wet Locations

5C



Applications:

EGL Static Grounding Indicator is the ideal product for safe loading/unloading of ethanol, biofuel, petroleum, chemicals, plastics and other combustible materials. The EGL is mounted adjacent to loading/unloading areas and connected to transportation tank vehicles, railcars, drums or other portable containers to prevent explosions due to static discharge during product transfer by providing:

- A ground path for static build-up
- Automatic pump shutdown when static grounding circuit is broken
- Visual indication of safe, static grounding before, during and after loading and unloading operations

Features and Benefits:

- Static ground verification system provides ground path for static build-up to ensure safe product transfer
- Integrated control relay allows for safe control of electrically operated pumps or valves, and for energizing remote indicators
- Stainless steel clamp for grounding connection provides industrial durability, corrosion resistance, and increased product lifetime
- Interior and exterior epoxy powdered paint finish provides superior corrosion resistance inside and out
- LED pilot lights provide long-lasting visual identification of status of ground connection
- ECD Type 4X drain protects interior equipment from environmental moisture and condensation, rain water, and hose-down applications
- NEMA 4X compact, hose-tight, and corrosion-resistant enclosure offers years of service in harsh industrial environments
- 25 ft. safety fluorescent yellow cord is easily identifiable to ensure safety and reduce tripping hazard
- Neoprene cover gasket provides a watertight seal to meet UL Type 4 (NEMA 4) requirements
- Stainless steel hinges are corrosion resistant while providing safe and easy access to interior of enclosure
- Waterguard™ desiccant packet absorbs and removes water/moisture and protects the enclosed equipment when not energized
- Adjustable mounting feet provide ease of mounting during installation

Certifications & Compliances:

- Class I, Divisions 1 & 2, Groups B, C, D
- Class II, Division 1, Groups E, F, G
- Class II, Division 2, Groups F, G
- Class III
- Class I, Zone 1&2 IIB + H₂
- UL/cUL Listed
- IP 65
- NEMA 3, 4X, 7BCD, 9FG, 12

Standard Materials:

- Enclosure: Copper-free aluminum with interior and exterior epoxy powder coat
- Clamp: Stainless steel
- Clamp Grips: Polyvinylchloride dipped
- Gasket: Neoprene

Electrical Rating Ranges:

- Power consumption: 9.8VA
- 120-volt AC supply
- Control relay interlocking contact: 15A at 277VAC; 10A at 600VAC
- Dual-tapped 240 and 480 VAC Step Down Transformer available
- Provides 2k ohms or less switching impedance
- 50/60 Hz

Crouse-Hinds

by **E.T.N**

www.crouse-hinds.com US: 1-866-764-5454 CAN: 1-800-265-0502 Copyright© 2014 Eaton's Crouse-Hinds Business



Ordering Information:

Description
Indicator with two pilot lights*

Catalog Number
EGL210 J1 J3

*Includes one red and one green pilot light.

Options:

Description	Suffix
Internal space heaters to limit condensation build-up	R11
Transformer suitable for both 220/240VAC or 440/480VAC applications	S883
50 foot cord	50FC

Options:

Replacement Parts:

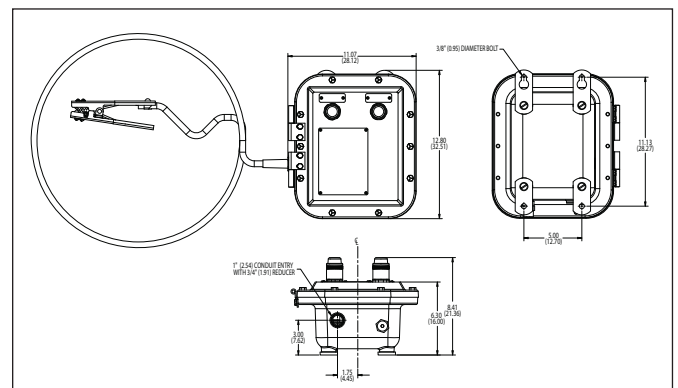
Ground clamp	EGL-K1
Ground clamp assembly (includes 25 ft. cord, connector and clamp)	EGL:20109-B
EGL210 universal interior replacement kit	EGL210-R1
Pilot lights (Red)	EMP009-J1-LED
Pilot lights (Green)	EMP009-J3-LED
Mounting feet	EJB-KIT5
Transformer (220/240VAC; 440/480VAC)	EGL S883 KIT
Space heater	EGL R11 KIT
Pilot light plug kit	EGL PLUG KIT

Weight & Dimensions:

EGL Assembly:

Weight = 32 lbs (14.5 kg)

Dimensions = inches (centimeters)



5C