



# Essential SmartBright All-in-one Solar Streetlight

## BRC010 LED40/765 kit

Integrated solar street light with Lithium Ferro Phosphate battery, solar panel and charger built into the luminaire. Optional pole mounting bracket. Microwave based motion sensor for optimizing battery autonomy.

### Warnings and Safety

- Factory set dimming profile along with microwave sensor for run time maximization

### Product data

General Information		Charge controller type	PWM
Driver included	Yes	Controls and Dimming	
Optical cover/lens type	Reflector	Dimmable	Yes
Control interface	IR remote	Configurability	Configurable
Warranty period	1 years	Mechanical and Housing	
Material	Acrylonitrile-butadiene-styrene	Overall length	625 mm
Remarks	Mounting bracket included	Overall width	250 mm
		Overall height	54 mm
Operating and Electrical		Approval and Application	
Battery type	Lithium Ferro Phosphate	Ingress protection code	IP65 [ Dust penetration-protected, jet-proof]
Battery ampere hour	15 Ah	Initial Performance (IEC Compliant)	
Battery voltage	3.2 V	Initial luminous flux (system flux)	4000 lm
Panel type	Poly crystalline		
Panel voltage	4.5 V		
Panel peak wattage	12 W		

# Essential SmartBright All-in-one Solar Streetlight

Initial LED luminaire efficacy	160 lm/W
Init. Corr. Color Temperature	6500 K
Init. Color Rendering Index	>70

## Application Conditions

Ambient temperature range	0 to +45 °C
Solar dimming profile	As per remote controller
Battery location	Inside luminaire

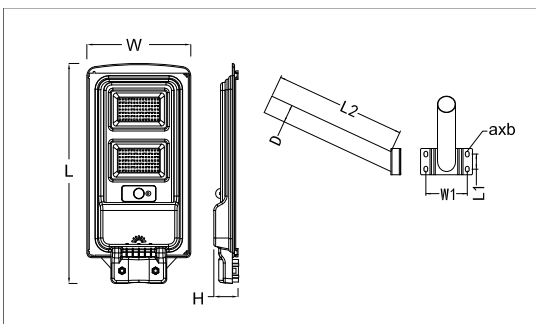
## Product Data

Full product code	692382864902999
-------------------	-----------------

Order product name	BRC010 LED40/765 kit
EAN/UPC - Product	6923828649029
Order code	911401828002
Numerator - Quantity Per Pack	1
Numerator - Packs per outer box	4
Material Nr. (12NC)	911401828002
Net Weight (Piece)	3.000 kg

IP 65

## Dimensional drawing



Solar Street Lights

